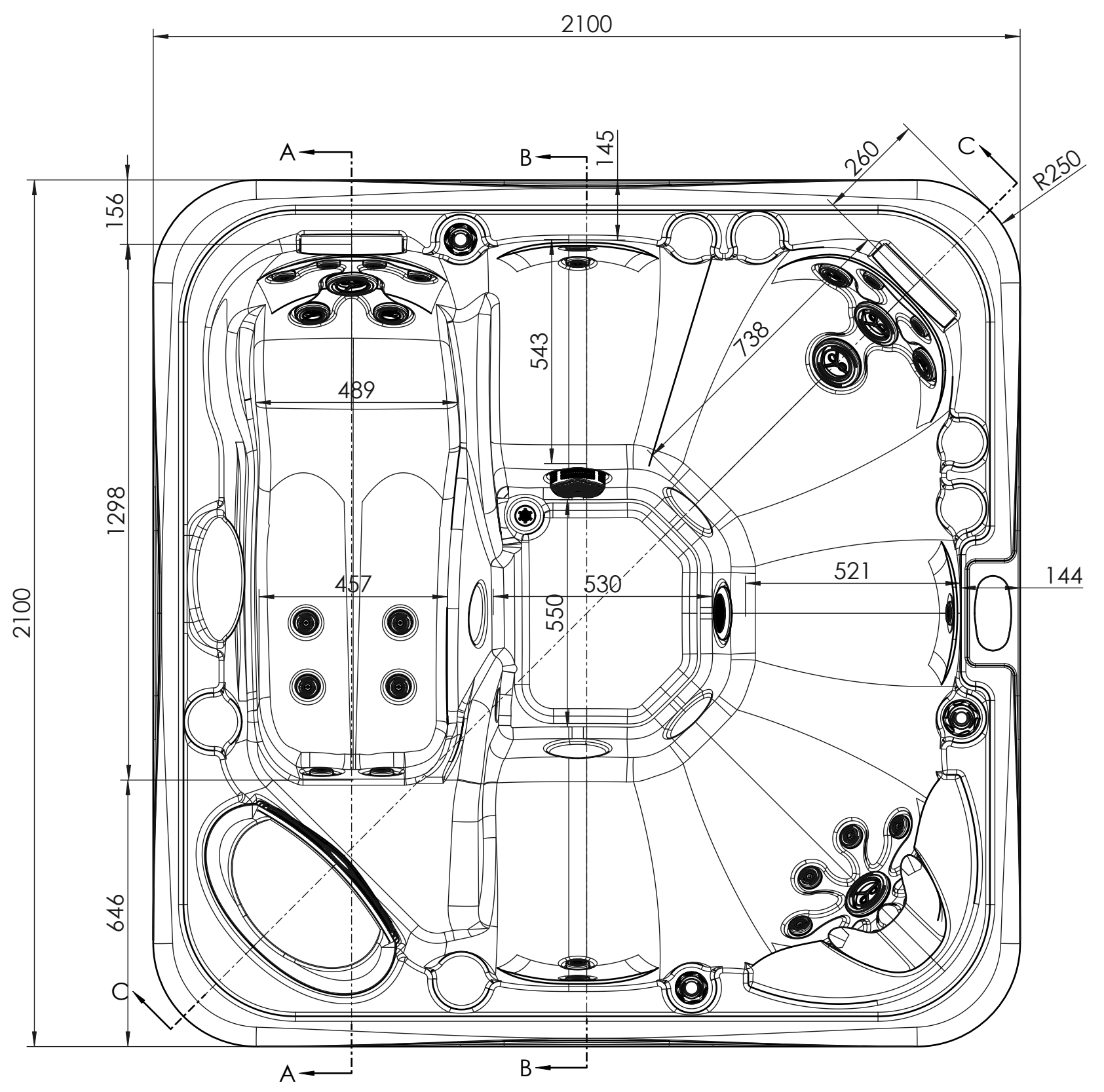
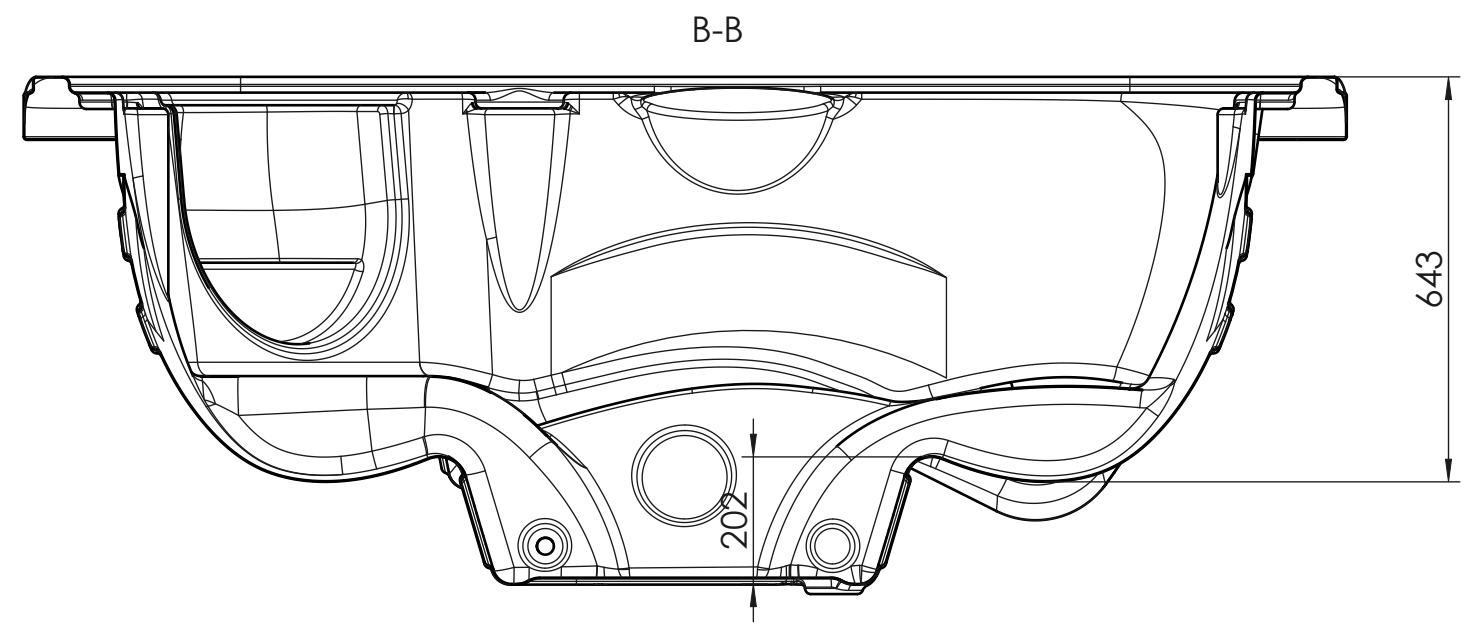
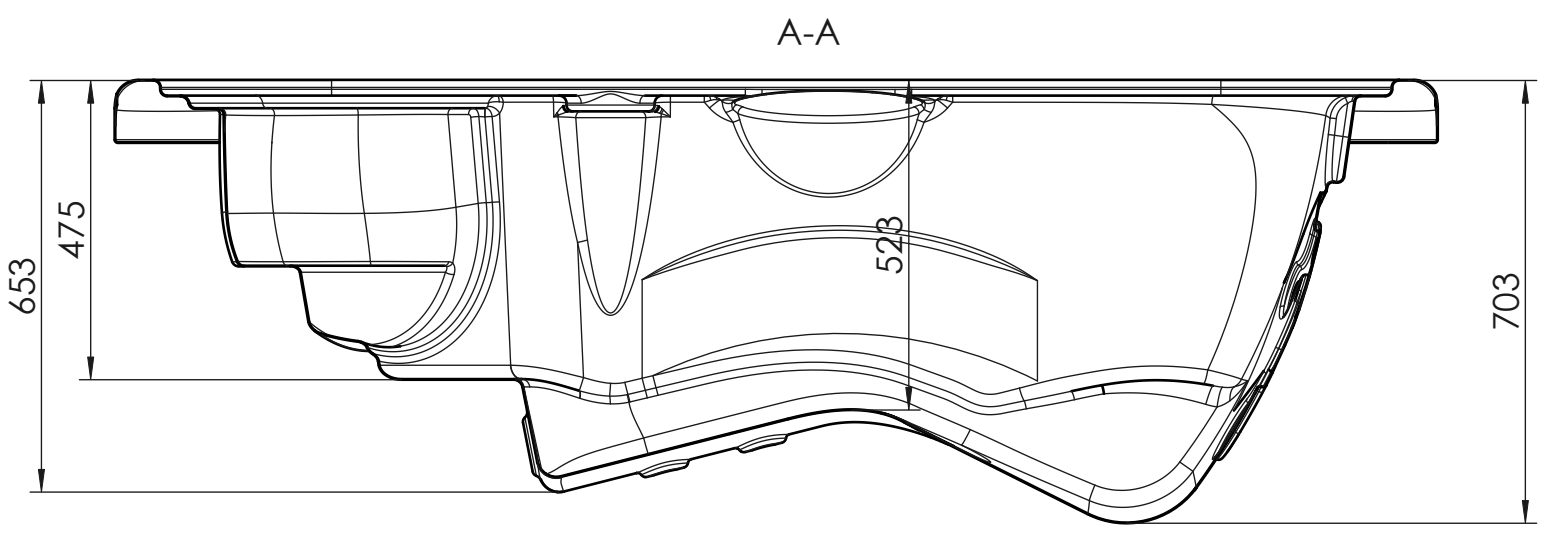
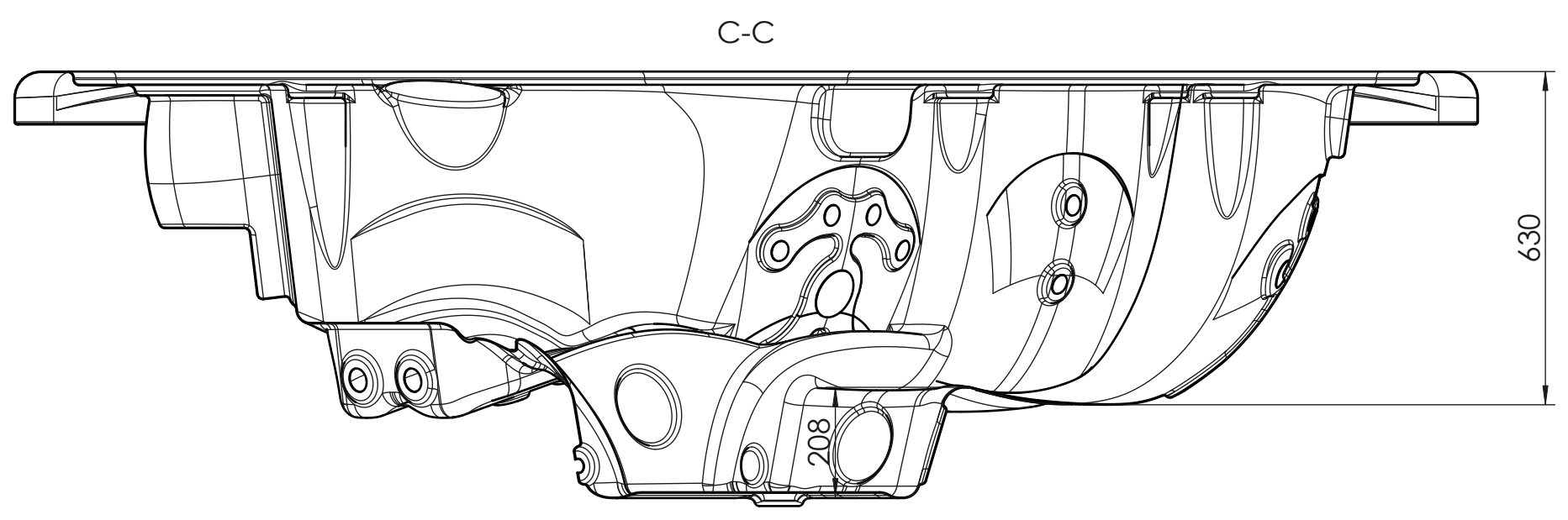
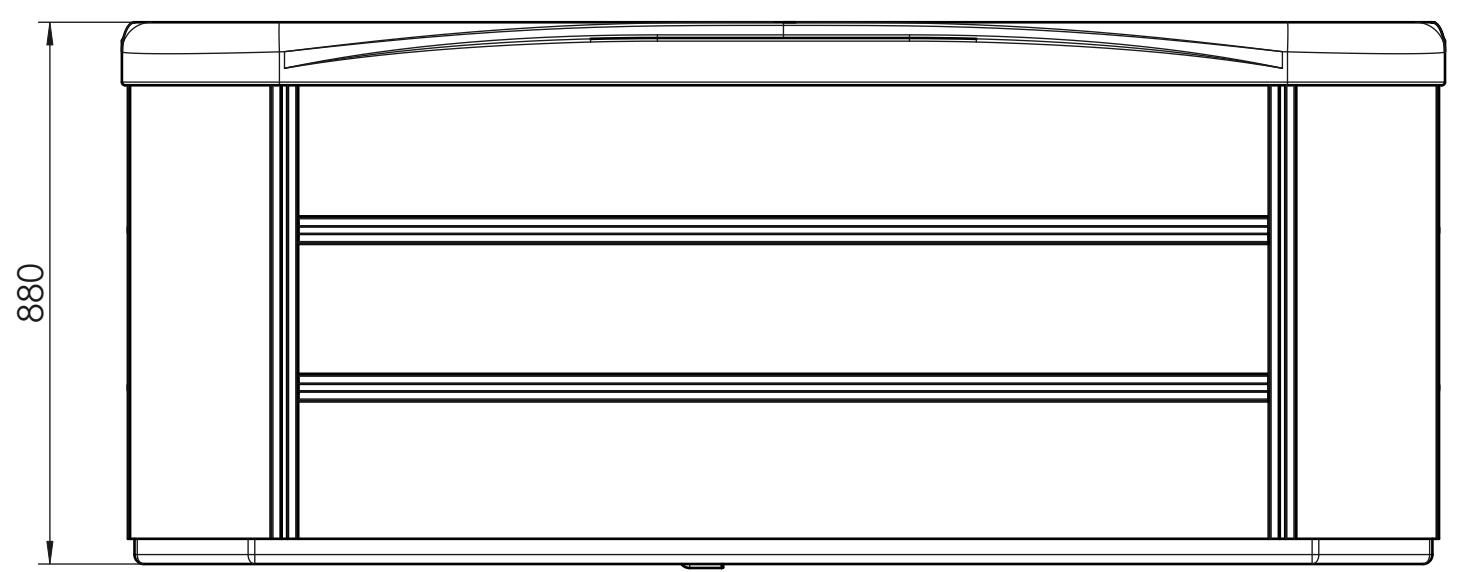


1 2 3 4 5 6 7 8 9 10 11 12

A B C D E F G H



LOVIA 罗威亚  
Spa Manufacturer

NOTES:		UNLESS OTHERWISE SPECIFIED: DIMENSIONS ARE IN MILLIMETERS TOLERANCES ARE: FRACTIONAL ±0.010 ANGULAR: MACH ±1/2° BEND ±1/2° TWO PLACE DECIMAL ±0.02 THREE PLACE DECIMAL ±0.010 INTERPRET GEOMETRIC TOLERANCING PER: MATERIAL FALSE	NAME	DATE	Lovia Pool & Spa Products Co.,Ltd.  TITLE: <b>804</b> SIZE DWG. NO. A2 804ASM SCALE 1:12	
			DRAWN			REV
			CHECKED			1st ANGLE
			ENG APPR.			
PROPRIETARY AND CONFIDENTIAL THE INFORMATION CONTAINED IN THIS DRAWING IS THE SOLE PROPERTY OF Lovia Pool & Spa Products Co.,Ltd.ANY REPRODUCTION IN PART OR AS A WHOLE WITHOUT THE WRITTEN PERMISSION OF Lovia Pool & Spa Products Co.,Ltd. IS PROHIBITED.			MFG APPR.		WEIGHT: 2004.72 KG	
			Q.A.			
			COMMENTS:			
	NEXT ASSY	USED ON	FINISH		SHEET 1 OF 1	
	APPLICATON		DO NOT SCALE DRAWING			